



Your Shortcut to Enlightenment



SOUL COACH

Jenn Rose

What Can the Lunar Nodes Tell You?

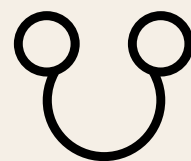
The lunar nodes exploring our life path, highest potential, soul gifts, spiritual growth, purpose, and destiny. We each have an individual purpose, shown by the location of the lunar nodes at our birth.

North Node ~ Your destiny



The north node in our chart represents the unique direction that you are being called to explore & ultimately, become. The qualities & characteristics you're meant to develop, learn. & step into, in order to live a life aligned with your soul purpose.

South Node ~ Innate gifts



The south node represents the qualities in us that are natural, overdeveloped, comfort zone. It is our instincts, habits, natural, and often automatic to embody and be. It is our retreat.

If the branches of the tree were the north node, the roots are the south node.



How to Find Your NN & SN

Go to the website

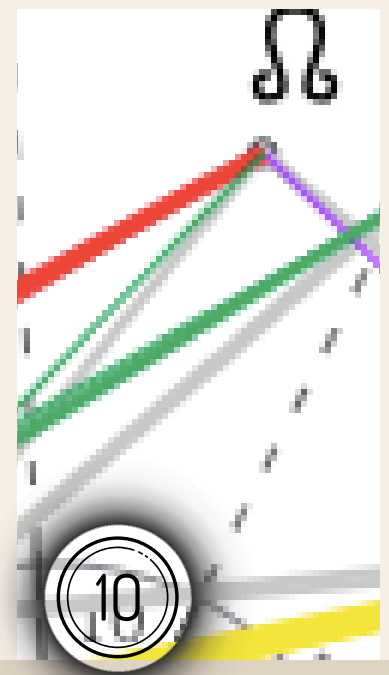
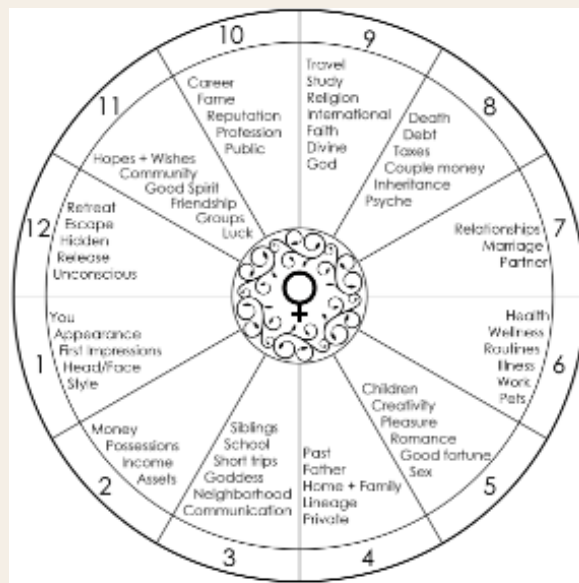
- o <https://astro-charts.com/tools/new/birth-chart/>
- o Enter in birth information
- o Calculate chart

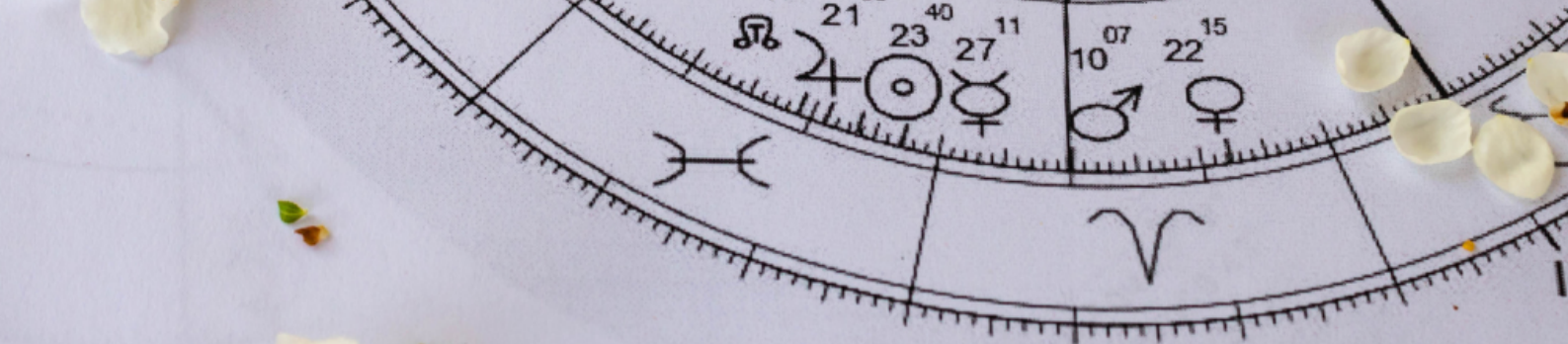
Locate your Nodes

- o Look for two horseshoe-like symbols
- o The upright horseshoe is your north node
- o You can also scroll down to the list that says North Node & the sign

♊ North Node in 0° 21' Pisces (r)

Find the House Number the NN is in



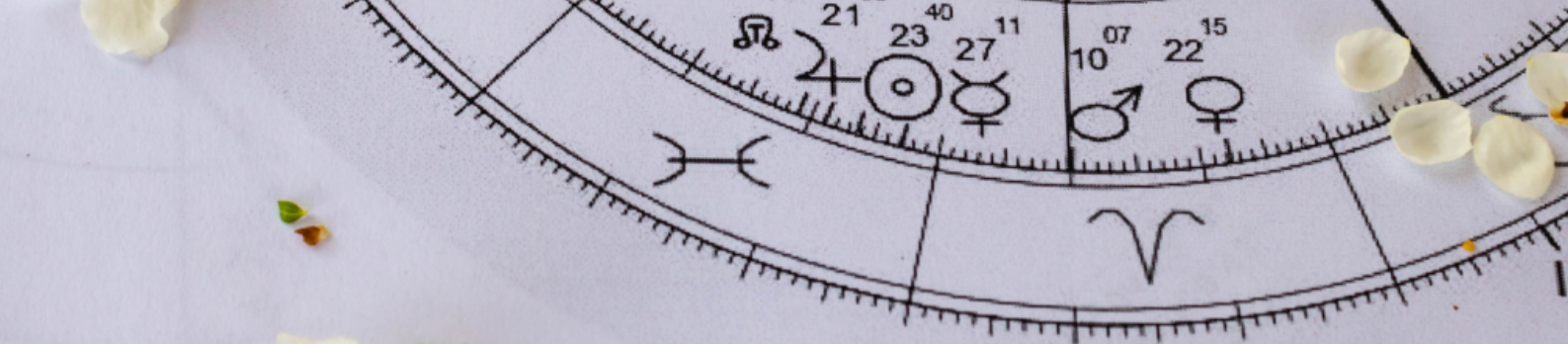


Lunar nodes are exactly opposite each other.

NN Aries SN Libra: In the past, you were more often in a relationship than not, & it became natural for you to make compromises. The NN in Aries suggests that you need to learn to be more self-reliant, brave, & actively pursue your identity is the key life lesson.

NN Taurus SN Scorpio: In the past, you were familiar with privacy & the past, this led to having your guard up. You have a talent for psychology because of your visceral transformation. NN in Taurus suggests it is better to focus on the tangible world. Growing to find strength in the here & now, the slowness, simplicity, & in your groundedness.

NN Gemini SN Sag: In the past, you spent a lot of time, wandering around with great questions of life. A talent for philosophy & searching for meaning. You might often think you know best. NN in Gemini suggests being open-minded, curious as you gather info & learn the facts before you form an opinion.

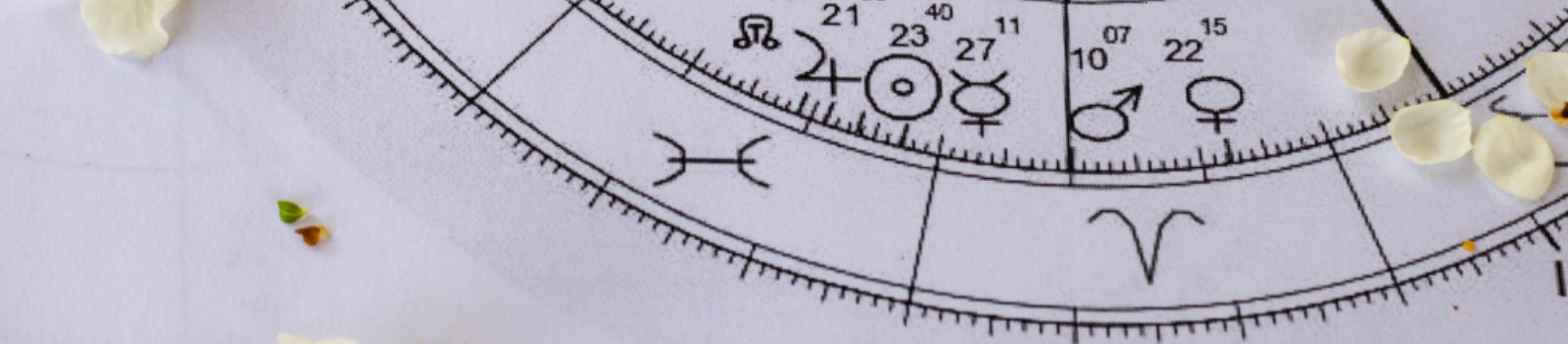


Lunar nodes are exactly opposite each other.

NN Libra SN Aries: In the past, you were an independent, fiery, & bold. You were quick to act, sometimes before thinking. Libra NN suggests In this lifetime, there will be plenty of life experiences that force you to find balance in a relationship. You often have partners who teach you important life lessons.

NN Scorpio SN Taurus: In the past, material possessions made you feel safe & secure. You took pride in providing for yourself & loved ones. Scorpio NN suggests accepting that change is the only constant & transformation never stops. You grow by focusing on transcendental experiences that help you understand yourself & the world on a much deeper level.

NN Sag SN Gemini: In the past, you kept busy, enjoyed being on the go, connecting with others, chit-chatting, observing your environment. The NN in Sagittarius suggests you can benefit from spending time alone, in nature, reflecting on who you really are. You benefit from strengthening your relationship with your higher self, by focusing less on talking & more on listening.

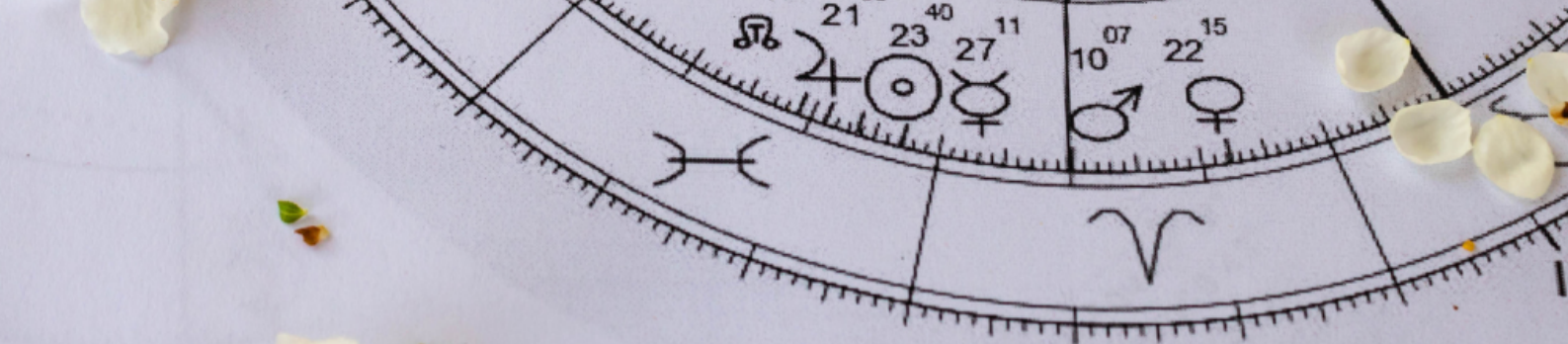


Lunar nodes are exactly opposite each other.

NN Cancer SN Cap: In the past, you worked hard for survival. Finding the optimal work-life balance is not easy for you. Cancer NN suggests that you need to focus on your private life more, on your relationship with others around you, especially family members. You are learning to tune into your emotional needs.

NN Leo SN Aqua: In the past, you preferred logic to emotions, always thinking about the future, what the group needs. Leo NN suggests your soul wants to express itself in the moment. In this lifetime, you can learn an important life lesson by following your heart, rather than listening to your mind. Embrace yourself being seen, find strength within, & do what makes you happy.

NN Virgo SN Pisces: In the past, you had a very strong connection to the divine, sensitive to the energy of other people. You had great vision. Virgo NN suggests that you need to focus on the physicality in this lifetime in order to grow spiritually. It is also important to learn to say no, & develop great time management skills.

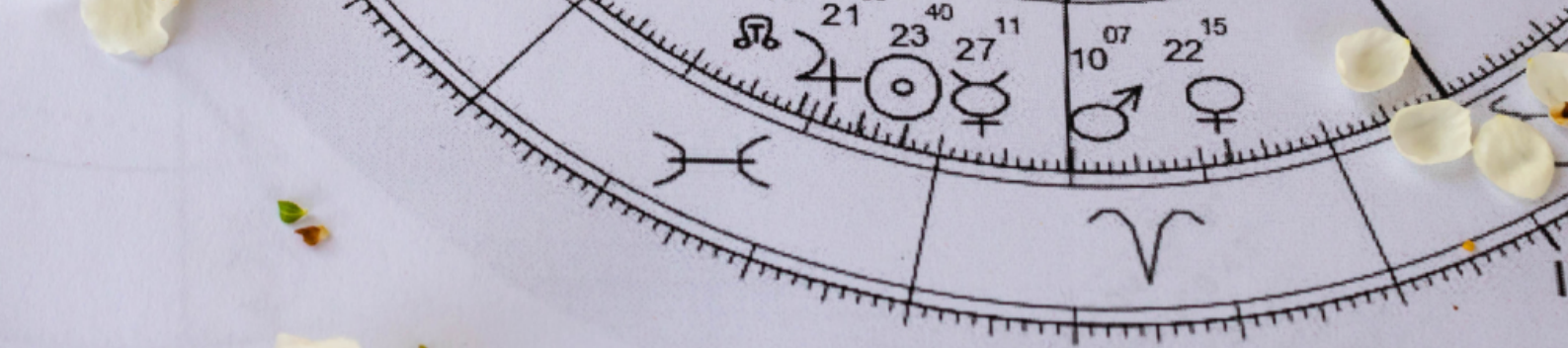


Lunar nodes are exactly opposite each other.

NN Cap SN Cancer: In the past, you had a well-developed intuition, a strong bond between you and your home, a tendency to do what feels good in the moment. NN in Capricorn suggests letting go of the past hurt feelings, developing an adult self. You can be more successful if you make plans, lean into practicality, & stay disciplined.

NN Aquarius SN Leo: In the past, you were adored & were cherished for who you were. Creativity, playfulness, & warmth came easily. NN in Aquarius suggests you are transiting from the first point of view to the second. Equality within community & friends, will be a major focus. Your greatest happiness comes when you focus on the universal values.

NN Pisces SN Virgo: In the past, you had strong work ethic, sometimes overworked. There can be a tendency for health issues to appear when you disregard your boundaries. You take good care of their physical body. The NN in Pisces suggests that you need to consume more of what feeds your soul. In this lifetime, you become more successful if you trust your intuition, & developing your imagination.



The Location House number of the North Node

NN in the 1st house: Your destiny or dharma relates to self-development and self-expression.

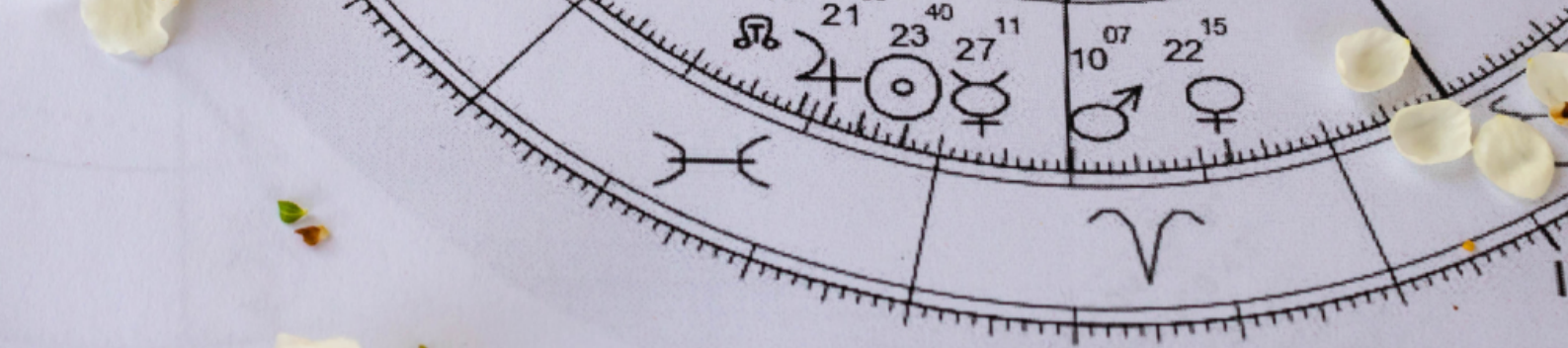
NN in the 2nd house: Your dharma involves money, security, and the material world.

NN in the 3rd house: Your destiny includes writing, teaching, and communicating. There will usually also be an important relationship with a sibling.

NN in the 4th house: Indicates a destiny to be a mother or work through important lessons with the family of origin.

NN in the 5th house: Focuses on love, children, recreation, and creative expression.

NN in the 6th house: Your dharma relates to health, pets, and service. These people have a clear work-related destiny.



The Location House number of the North Node

NN in the 7th house: Indicates relationship-focused, soul-mate-oriented dharma.

NN in the 8th house: Associated with deep psychological work and healing.

NN in the 9th house: Relates to a destiny to be a literal or figurative "explorer," including the possibility of living in or working with other cultures.

NN in the 10th house: Signifies important career/leadership dharma. These individuals are meant to be public figures. This placement indicates a (most likely) preplanned career that is important to the soul's goals.

NN in the 11th house: Reflects a socially minded individual whose dharma involves affecting the community or working with groups.

NN 12th house: You have a spiritual or highly humanitarian destiny. Intuitive gifts are possible, as is a desire to foster unity and love on the planet.



It is not only our arrival at a place that defines our destiny & our purpose, but our journey there & who we become in the process.



[@jenneralwellness](https://www.instagram.com/jenneralwellness)

Jenneralwellness

✦ SOUL COACH ✦

I help women find your
life's purpose & reignite
your spark

Let's work together!
Send me a message to deep
dive into this

Contact information:



www.jenneralwellness.com



@Jenneralwellness



@Jenneralwellness3



jenneralwellness@gmail.com



Jenneral Wellness